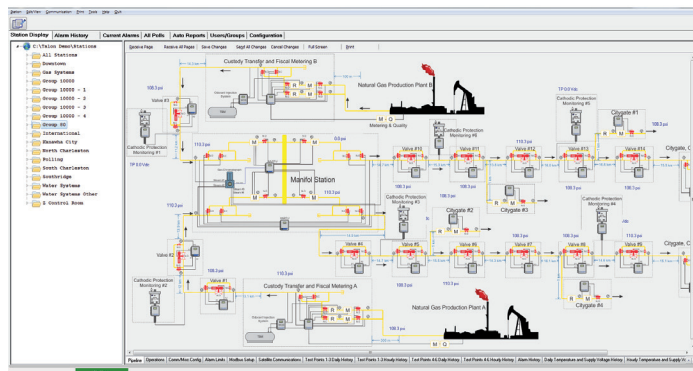


Eagle Research Corporation® designed the Talon™ family specifically to meet the user's needs, providing software modules for both central office and field operations. Talon™ Software Suite provides application solutions for Natural Gas, Water/Wastewater, Environmental Protection, Steam, and Electrical applications. Industrial/Commercial Measurement, Pressure/ Temperature Monitoring, Supervisory Control, and Odorization are but a few of the systems that can benefit from the use of this software.

- The Talon™ family of products has been designed as a Windows® based setup, configuration, device management, and polling tool for the Eagle Research Corporation® family of products
- Windows® Explorer style formatting and menus for station viewing provide a familiar look and feel for a shorter learning curve for use.



TALON SCE™

Talon SCE™ (Single Computer Edition) provides a single computer based software platform to perform the functions often segregated into separate SCADA and Electronic Measurement Systems. The Talon™ family software gives you the ability to create a powerful host platform that can be tailored and scaled to meet specific and diverse user needs. Flexibility in the software design offers the option to purchase only the software component modules that the customer needs. Talon SCE™ has the ability to expand the system with additional features by adding new modules in the future when additional customer needs require. The users and groups function offers password access/control for viewing, editing, and other administrative functions. User shift schedules can be entered for alarming and reporting through e-mail, SMS, and voice calls using the optional Alert Server software module. This software is uniquely suited to meet the needs of the small to intermediate size companies. Talon SCE™ is suitable for a reduced scale SCADA system supporting Four Serial IOs and One TCP Port, but can be expanded for larger applications, polling multiple devices over several communications ports simultaneously.

- Windows® Operating System: Server 2003, 2008, 2012; Windows® 7, 8.1, 10
- SCADA and Data Collection System
 - (4) Serial Comm Ports & (2) TCP/IP Ports (2 incoming and 2 outgoing)
- Expandable Based on Polling Interval Needs
- Data Trending
- Automated Report and Polling Scheduler
- Multi-Pen Historical Quick Trend Graphing
- Alarm Viewer
- Data Import Utility



TALON SCE™



**EAGLE RESEARCH
CORPORATION**